

**Interface Specification**

FBS-14789

**Integration to National Patron Registry in  
Cicero**

# Table of Contents

- 1 Introduction ..... 3**
- 2 Synchronization to and from National Registry..... 3**
  - 2.1 Configurations for synchronization ..... 3
- 3 Scenarios for synchronizing patron data..... 4**
  - 3.1 Consent from patron to synchronization ..... 4
  - 3.2 Create patron..... 4
    - 3.2.1 Different scenarios for patron creation..... 4
    - 3.2.2 Create patron on a new library ..... 6
  - 3.3 Patrons with a local library card number ..... 6
  - 3.4 Update patron ..... 6
  - 3.5 Delete patron ..... 6

## Interface Specification

Project: FBS-14789  
 Revision: \$Revision: 1.5+\$ \$Date: 30 Oct 2023\$  
 Document: \$SSE/14789/IFS/0028

Copyright (c) 2023 by Systematic Group. It shall not be copied, reproduced, disclosed or otherwise made available to third party without previous consent from Systematic Group

## 1 Introduction

This document describes how Cicero interacts with the National Registry.

The target group for this document is users and stakeholders of Cicero wanting to use the integration to the National Registry.

Additional documentation for Cicero can be found in <https://ciceroconnect.zendesk.com/>

## 2 Synchronization to and from National Registry

Synchronization between Cicero and National Registry is done by two scheduled jobs:

- Changes from National Registry to Cicero are synchronized in the morning
- Changes from Cicero to National Registry are synchronized at night

Changes in the sending system will overwrite values in the receiving system. This means that if e.g. the library card number has changed in Cicero at the time the synchronization job from Cicero runs, it will overwrite the current library card number in National Registry.

### 2.1 Configurations for synchronization

The following configurations must be set for integration with National Registry:

- Username and password for National Registry
- Enabling the integration
- Which patron data to synchronize. This can currently be set to Library card number and/or Pincode.
  - If a patron is synchronized without library card number, a number will be generated from the configured library sequence.
  - If a patron is synchronized without pincode, a default pincode is created on the patron which must then be manually changed by either the librarian or the patron (through CMS API).

If the library needs to generate library card numbers automatically, the configuration for the library card number sequence must also be set. Note that in order to synchronize these library card numbers, the sequence must match the one configured in National Registry.

### 3 Scenarios for synchronizing patron data

#### 3.1 Consent from patron to synchronization

Patrons need to give consent before their information can be synchronized to/from the National Registry service. The librarian can set consent for a patron in Cicero. The consent can also be set by the patron through the Cicero CMS API.

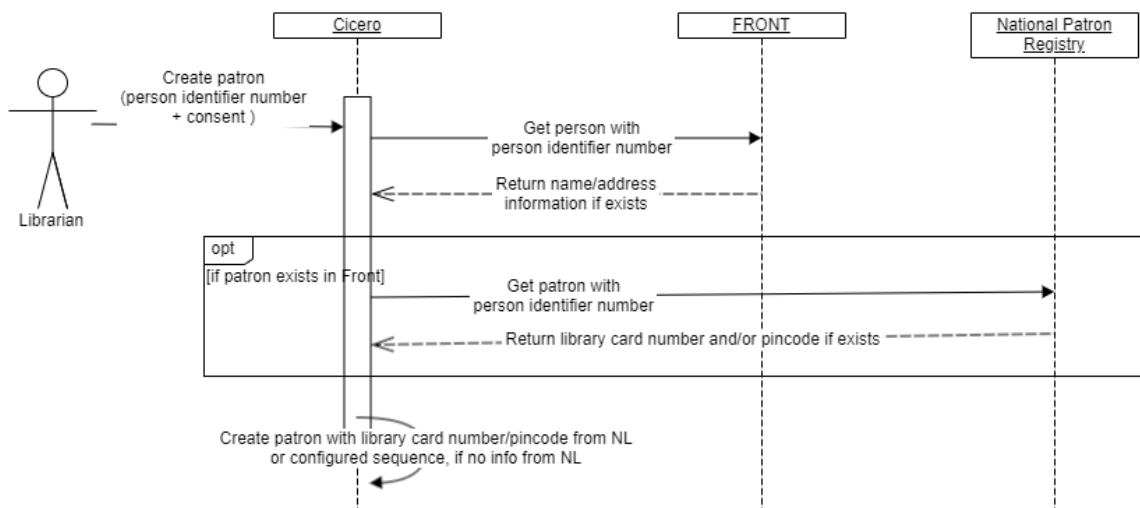
#### 3.2 Create patron

When creating a patron in Cicero, the librarian can do one of these:

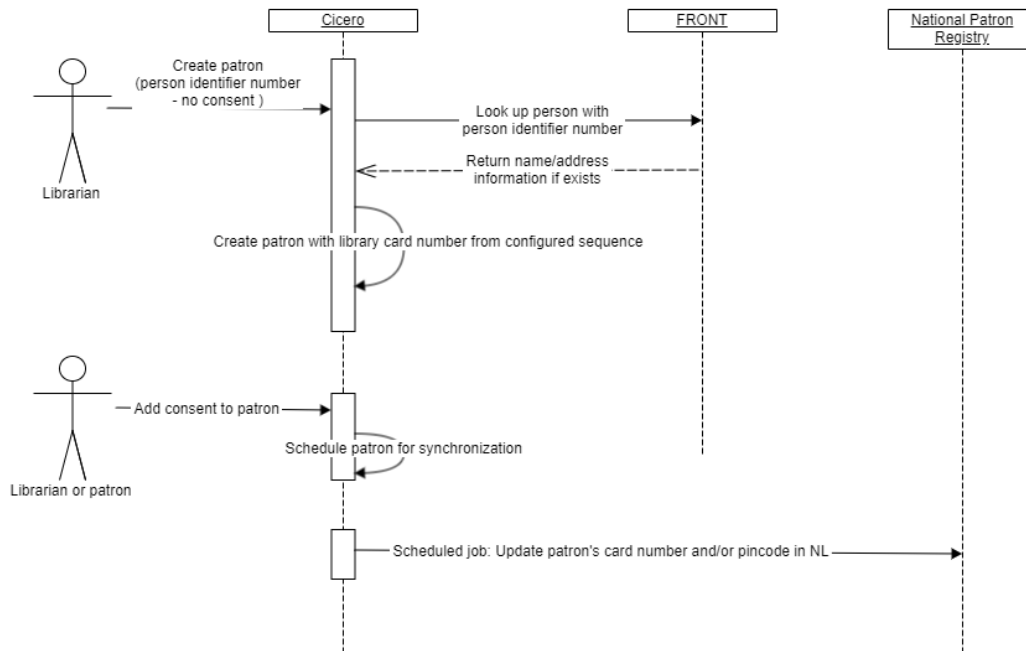
1. Create the patron with a library card number and pin code: This will create the patron in LMS with the supplied information without looking up information in the National Registry
2. Create the patron without library card number or pin code:
  - a. If the patron cannot be found in the National Registry, a library card number is generated in Cicero based on the Library card number sequence configured in Cicero. The number is sent to the National Registry during the next synchronization.
  - b. If the patron can be found in the National Registry, the library card number and/or pincode are fetched from National Registry and the patron will be created in Cicero with these values. The values fetched depend on the configuration set in the configuration in Cicero for National Registry Loaner Data.

##### 3.2.1 Different scenarios for patron creation

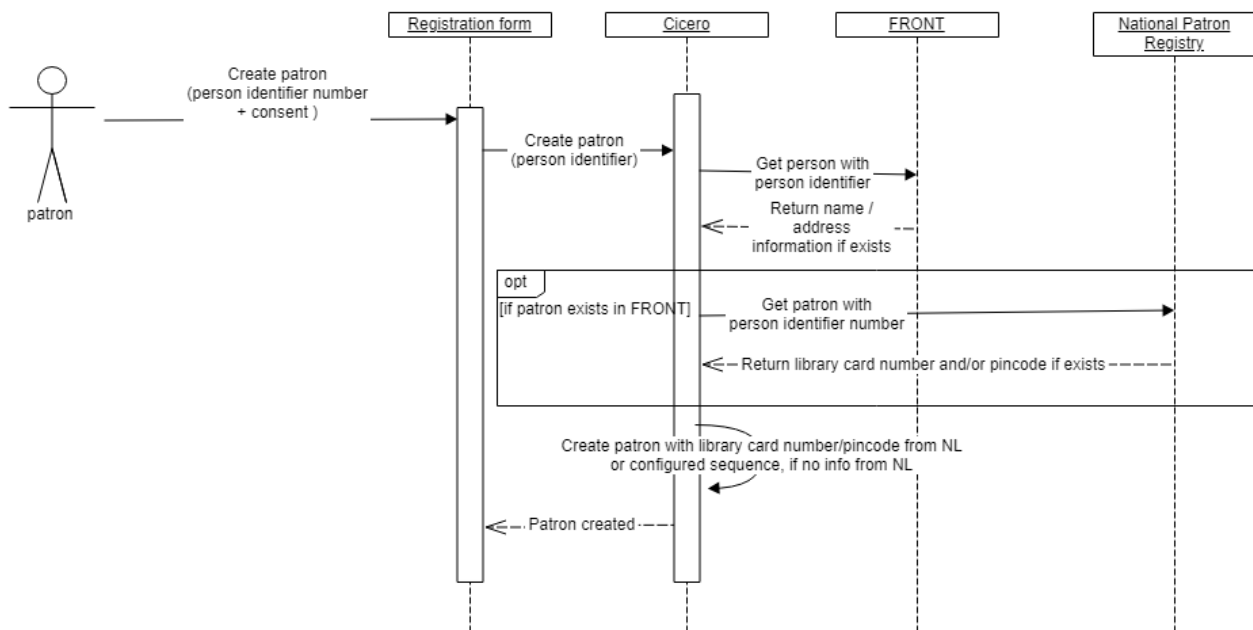
##### Create patron with consent in Cicero



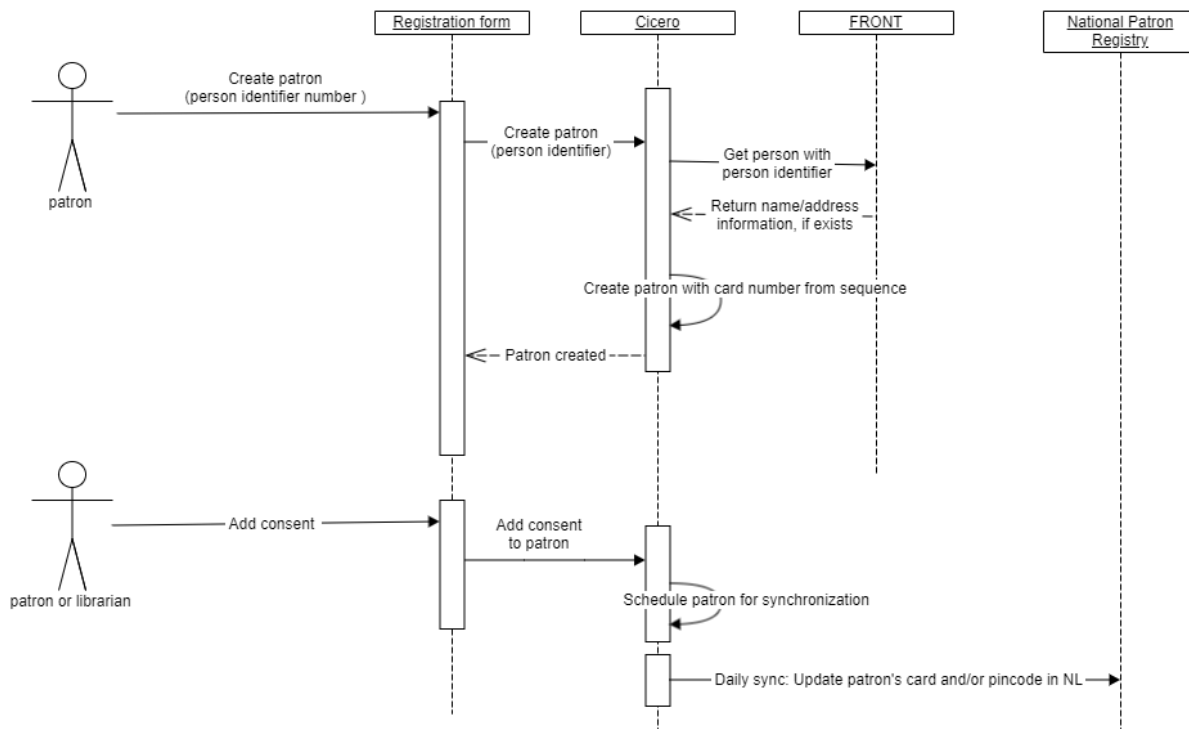
### Create patron without consent in Cicero



### Create patron with consent in self-service (registration form and Cicero CMS API)



**Create patron without consent in self-service (registration form and Cicero CMS API)**



**3.2.2 Create patron on a new library**

If the patron exists in the National Registry, but is created on a library different from the current library registered, a relation to the new library will be added in National Registry with the daily synchronization.

**3.3 Patrons with a local library card number**

If a patron has a local library card number, i.e. a number that is not in the sequence defined in the National Registry, the local library card number will not be synchronized to the National Registry.

If there is a national card in the National Registry, this will be added to the patron during synchronization from National Registry, so the patron will have both the local and the national card number.

**3.4 Update patron**

When a librarian updates library card number and/or on a patron, the information will be synchronized with National Registry by the scheduled job.

**3.5 Delete patron**

When a librarian deletes one of the library’s patrons in Cicero, the relation between the patron and the library will be removed from the National Registry with the daily synchronization.



# SYSTEMATIC

## Denmark - HQ

Aarhus  
Copenhagen

## Australia

Canberra  
Brisbane

## Canada

Québec

## Finland

Tampere

## Germany

Cologne

## New Zealand

Wellington

## Romania

Bucharest

## Sweden

Stockholm

## United Arab Emirates

Abu Dhabi

## United Kingdom

Farnborough

## United States of America

Centreville

To find more specific office details please scan the QR code below

